

# Oil Vapour Monitor

Oil Vapour/ Dewpoint / Pressure / Temperature - four-in-one measurement  
PUR series

## Key Features

- Four-in-One measurement – oil vapour, dewpoint, pressure, & temperature
- Measurement Ranges:
  - Oil Vapour: 0.001 to 5.000 mg/m<sup>3</sup>
  - Dew Point: -110 to +20°C
  - Pressure: 0 to 17 bar
  - Gas Temperature: 0 to +50°C
- Air Purity Class:
  - ISO 8573-5 class for oil vapour
  - ISO 8573- 3 class for moisture (dew point)
- 7" touch screen display
  - 2 Alarm relays: Oil Vapor and Dewpoint
  - Data logging with 25 GB of storage
- Data output
  - No display: 4-20mA and Modbus RTU (RS485)
  - With Display: 4-20mA, Modbus RTU (RS485), Modbus TCP (Ethernet) & USB (csv format)
- Power Supply: 100 to 240 VAC, Max 65 W



Portable version

## About

The Oil Vapour Monitor does more than measure oil vapour. It also (i) monitors pressure dewpoint, gas pressure and gas temperature and (ii) gives the oil vapour class and moisture class based on the principles of ISO8573-3 and ISO8573-5.

The 7" touchscreen provides real-time information, data recording, on-screen alarms and USB export (CSV format). With 25 GB of onboard storage, users can perform data analysis directly on the screen or download data to their computer for further analysis.

The device has excellent repeatability and stable performance. The automatic calibration and self-cleaning ensures reliable accuracy and extended sensor life. Easy to install via 6 mm PTFE tube and quick-connect tube fittings.

## Applications

- Manufacturing, pharmaceutical, food & beverage, industrial use
- Compressed air and inert gases
- Temporary or permanent installation



More Info

# Specifications

## Oil Vapour

Measuring Range	0.001 ... 5.000 mg/m <sup>3</sup>
Accuracy	±1.5%RD + 0.003 mg/m <sup>3</sup>
Resolution	0.001

## Dew Point

Measuring Range	-110 to +20 °Ctd    166°F to +68°F
Accuracy	±2 °Ctd (-60 ... +20 °Ctd) ±3 °Ctd (-110 ... -60 °Ctd)

## Pressure

Measuring Range	0 to 1.7 Mpa(a)    0 to 246 psi
Accuracy	±0.3 %FS @ 23°C
Resolution	0.01

## Temperature

Measuring Range	0 to +50 °C    32°F to +122°F
Accuracy	±0.3 °C
Resolution	0.01

## Display & Data Logger

Display	7" IPS touch LCD
Resolution	1280 × 800 px
Data Logging Storage	25 GB 3,000,000,000 values
Data Export	USB Type-C (csv file) Modbus RTU (RS485) Modbus TCP (Ethernet)
Alarm Output	2 × Relay alarm channel (Oil Vapor, Dewpoint)

## Power

Supply Voltage & Power	100 to 240 VAC Max 65 W
Power Supply	Included



Permanent (wall mount) version with display

## Signal Output

Analogue Output	4-20mA (1 signal only)
Digital Output	
• with display	Modbus RTU (RS485) and Modbus TCP (Ethernet)
• no display	Modbus RTU (RS485) only




## Operating Environment

Measuring Medium	Compressed air and non-corrosive, non-explosive gases	
Medium Temperature	0 to +50 °C	32°F to +122°F
Medium Pressure	0.3 to 1.7 Mpa(a)	0 to 246 psi
Relative Humidity	0 to 40 %RH (Non-condensing) @20°C, 100KPa	
Sample Gas Flow Rate	0.5 to 2 NL/min	
Environment Temp	-20 to +45 °C	-4 to +113°F
Storage Temp	-20 to +45 °C	-4 to +113°F

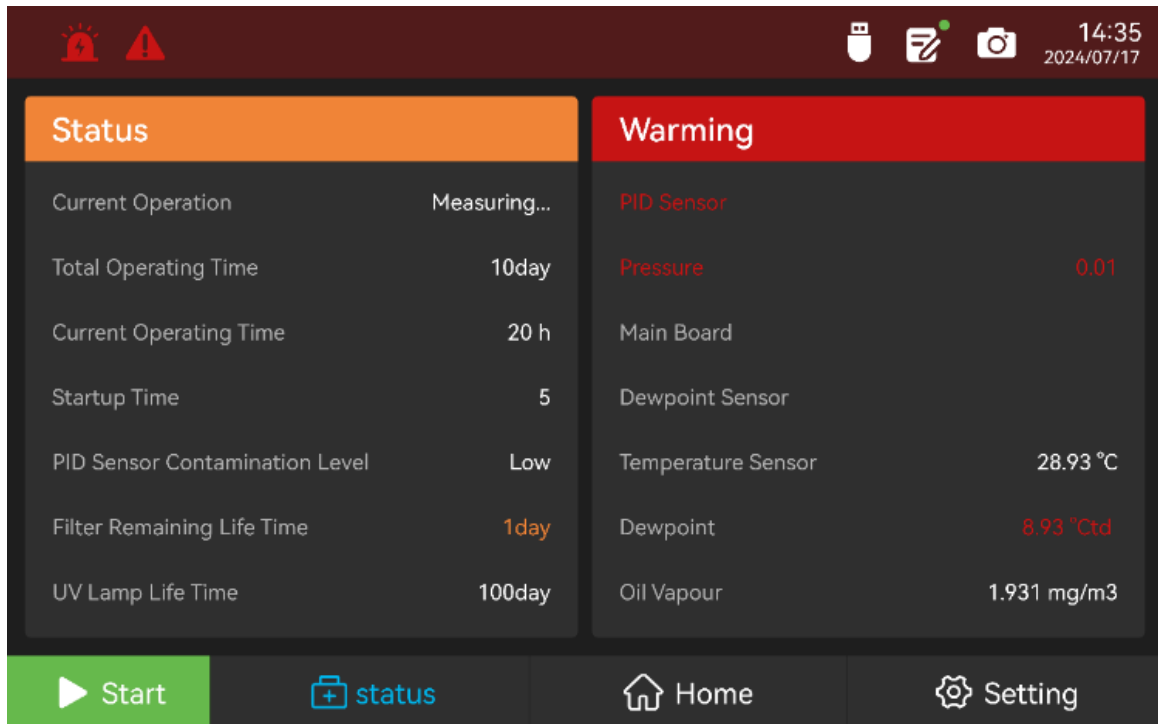
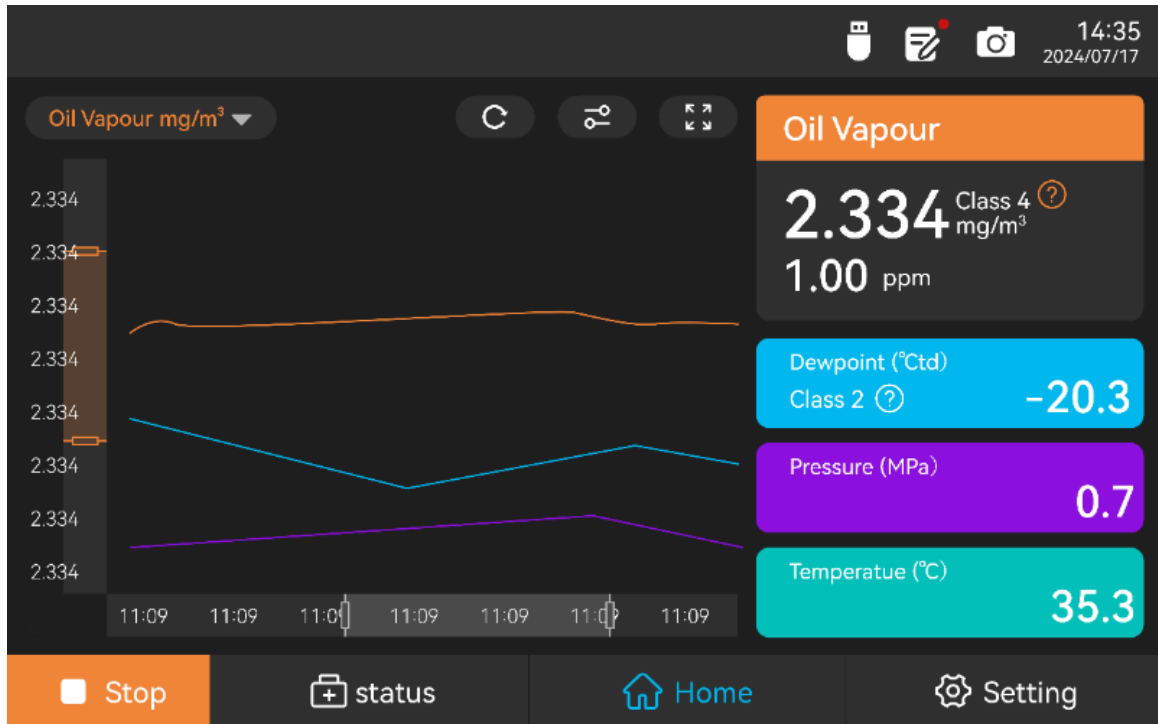
## Other

Zero Filter Life Time	2 Year @ 2 ppm	
UV Lamp Life Time	8,000 hours	
Case Material	Portable	PP
	Permanent	Aluminium Alloy
Weight	10kg	
Dimensions	445 × 319 × 177 mm	
Installation	Permanent or Temporary	
Warranty	12 months	
HS Code	9031.80	

# Comparison

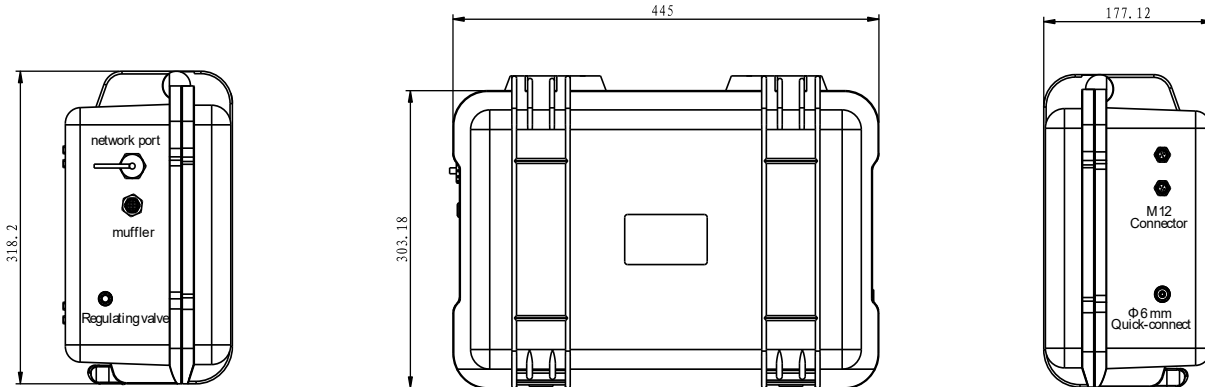
Feature	Portable Unit with Display	Permanent Unit with Display	Permanent Unit no Display
SKU	PUR10000x	PUR11000x	PUR12000x
			
Measurement - Oil Vapour	✓	✓	✓
Measurement - Dew Point	✓	✓	✓
Measurement - Pressure	✓	✓	✓
Measurement - Gas Temp	✓	✓	✓
ISO 8573-5 class for oil vapour	✓	✓	✓
ISO 8573- 3 class for moisture (dew point)	✓	✓	✓
Display	✓	✓	✗
Data Logging	✓	✓	✗
Alarm Relay	✓	✓	✗
Data Output	4-20mA Modbus RTU (RS485) Modbus TCP (Ethernet) USB	4-20mA Modbus RTU (RS485) Modbus TCP (Ethernet) USB	4-20mA Modbus RTU (RS485)
Mounting	Portable	Wall Mount (permanent)	Wall Mount (permanent)

# Display

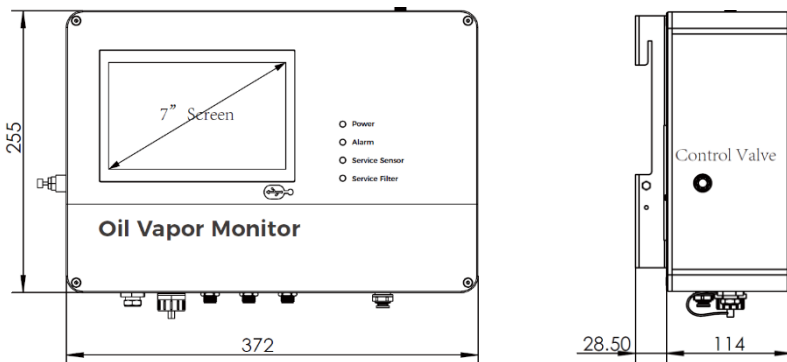


# Dimensions

Dimensions: 445 × 319 × 177 mm (L×W×H), Weight: 10kg

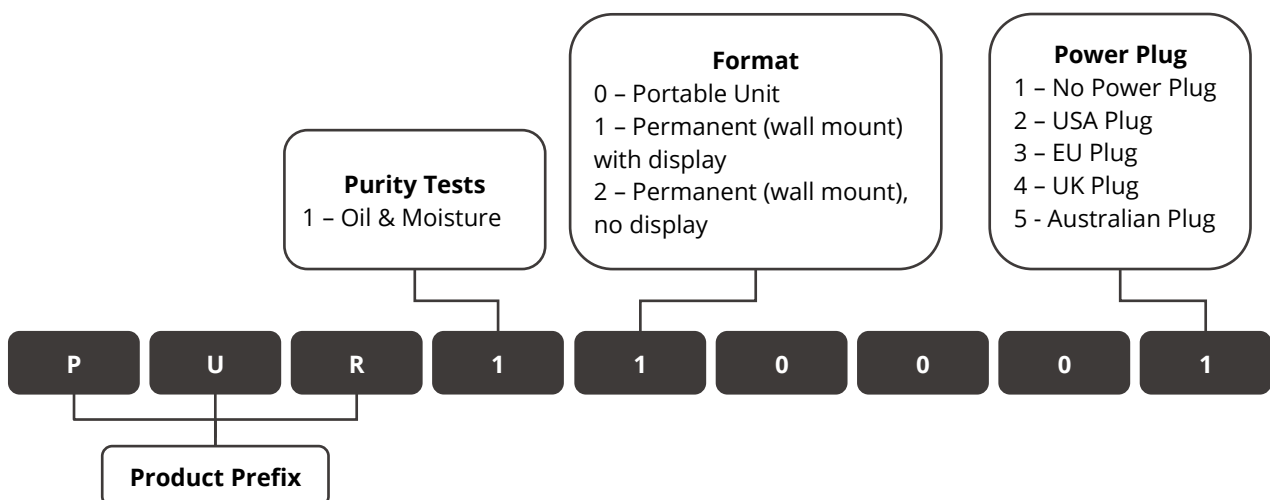


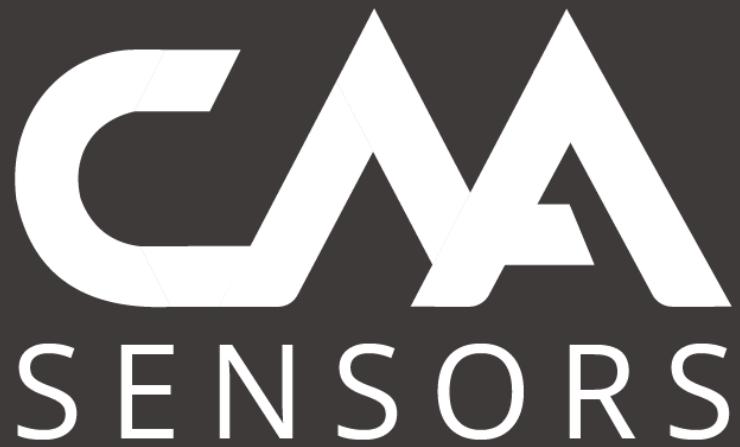
Dimensions: 445 × 319 × 177 mm (L×W×H), Weight: 10kg



# How to Order

Find a Distributor: [www.caasensors/distributors](http://www.caasensors/distributors)





CAA Sensors Pty Ltd

Head Office: Sydney, Australia

Email: [sales@caasensors.com](mailto:sales@caasensors.com)

Website: [www.caasensors.com](http://www.caasensors.com)

Find a Distributor: [www.caasensors.com/distributors](http://www.caasensors.com/distributors)